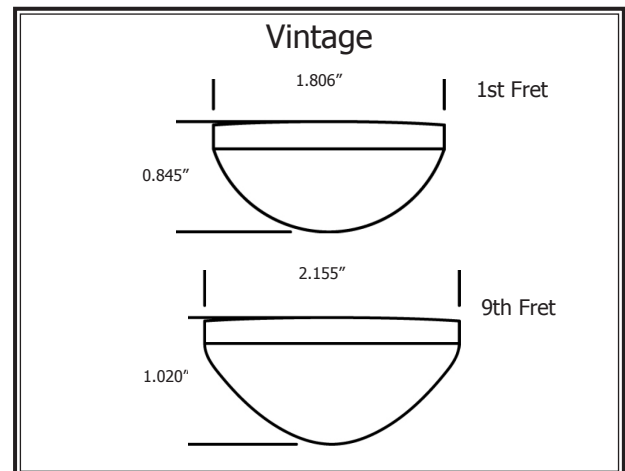
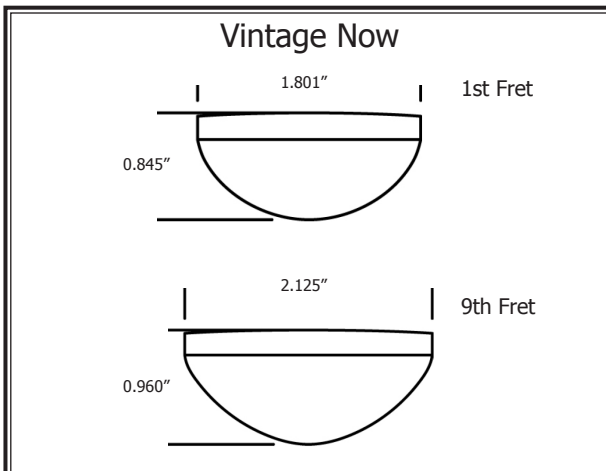
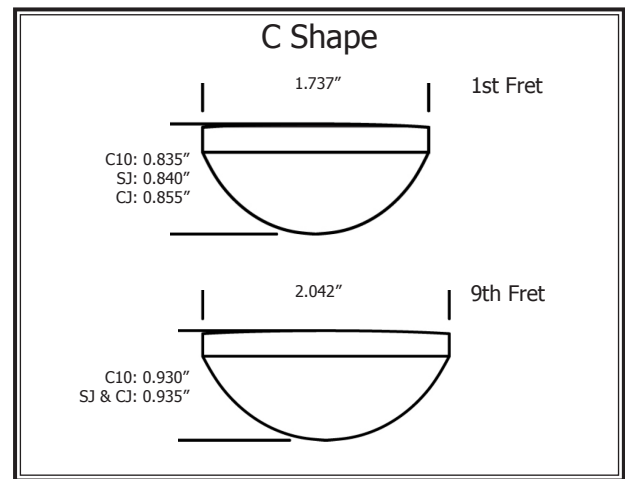
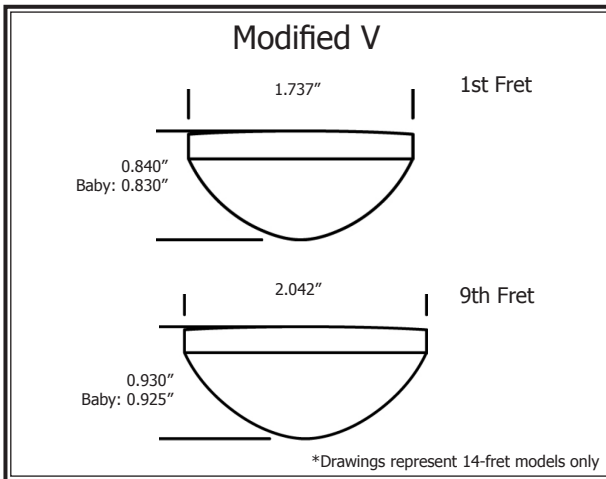


Neck Dimensions

Model	Profile	Nut Width	Saddle Spacing	Price
D / OM / 0	Modified V	1 11/16"	2 3/16"	\$0
		1 23/32"		\$75
		1 3/4"		\$75
	Vintage Now	1 3/4"	2 5/16"	\$175
	Vintage	1 3/4"	2 3/8"	\$175
CW Indian A / CW Mh A	Modified V	1 23/32"	2 1/4"	\$0
CJ / SJ / C10 / C10 Dlx	C Shape	1 11/16"	2 3/16"	\$0
		1 3/4"		\$75
DS	Modified V	1 13/16"	2 3/8"	\$0
		1 3/4"	2 3/16"	\$150
0 12-Fret / 00 / 000	Modified V	1 13/16"	2 5/16"	\$0
		1 3/4"	2 3/16"	\$150
Baby	Modified V	1 11/16"	2 3/16"	\$0
		1 3/4"		\$75
CJ35 / C10-35	Vintage Now	1 3/4"	2 5/16"	\$0
0 12-String	Wide V	1 7/8"	2 2/5"	\$0
Tenor	Narrow V	1 9/32"	1 11/32"	\$0



*Since each Collings neck is finish sanded by hand, the measurements provided above represent average measurements. Actual neck measurements may vary slightly from instrument to instrument, especially over an extended period of time.